

Ultra light caliper

UL4

DESCRIPTION

- Ultra-light, large callipers with integrated Bluetooth® system
- Frame made of special aluminium profile reinforced with 4 stainless steel guide rods
- New XXL display unit with digits 20 mm high
- Three buttons, including the central button with selectable favourite function
- Measuring force control device
- Long outer jaws 200 mm with measuring part made of hardened steel 124 x 8 mm coated with titanium nitride (TiN)
- On request, our UL4 callipers with jaws up to 400 mm long are available (please specify when ordering).
- Lever-lockable movable left jaw
- Removable upper studs with hardened metal pin Ø 5 mm for internal measurements
- Additional data output Proximity
- Measuring range 400 to 3000 mm
- Calibration certificate
- Protection class IP67



Output cable Proximity to USB (926-6721) or RS232 (926-6723)

Built-in Bluetooth

Measuring scale resistant to liquid

Upper internal measurement anvils

Left moving cursor locking lever

Force control device

Digital display LCD, Height of digits 20 mm

Jaws of 200mm

ISO 13385-1

SWISS MADE

Built-in Bluetooth

PROXIMITY

WATER RESISTANT

IP67

Stainless steel external jaws, thickness 8 mm, titanium coated

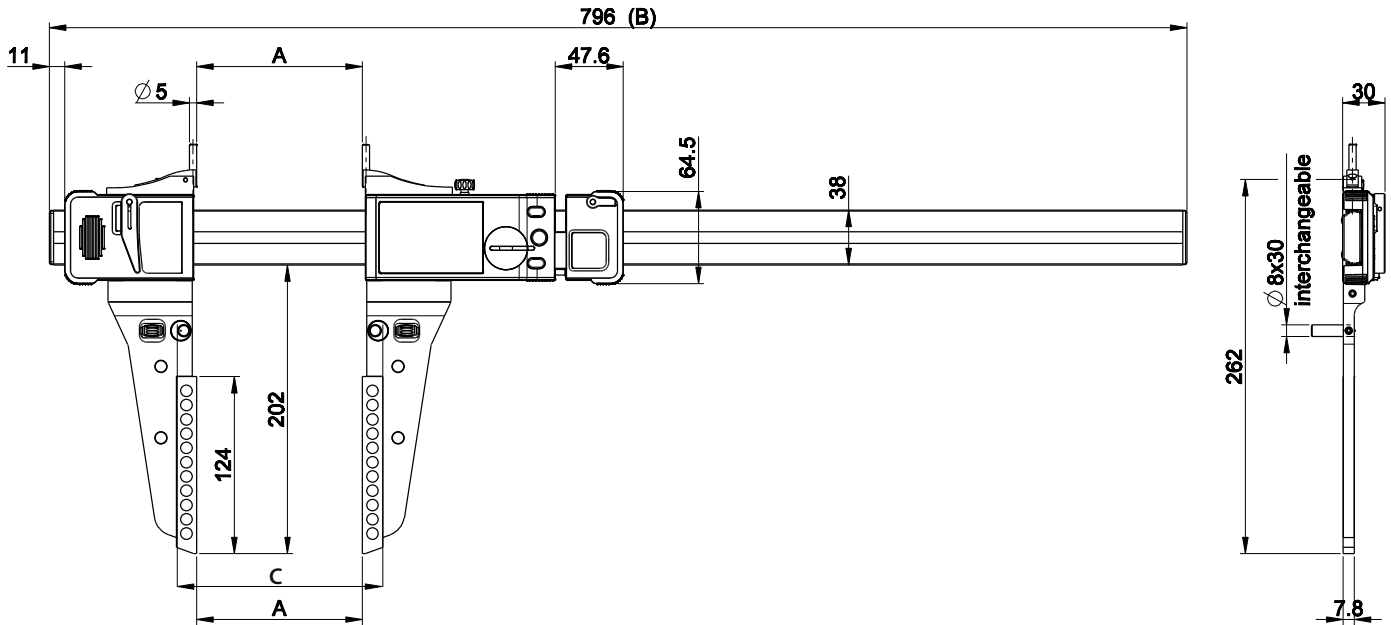
3m = 3.3 kg



Ultra light caliper

UL4

DIMENSIONAL DRAWING



TECHNICAL SPECIFICATIONS

		811-1404	811-1406	811-1410	811-1415	811-1420	811-1425	811-1430
Model	mm	400	600	1000	1500	2000	2500	3000
Max. Error	µm	30	40	50	90	120	150	200
Repeatability	µm	20			30			
Resolution	mm	0.01						
A	mm	0-478	0-683	0-1093	0-1608	0-2123	0-2638	0-3153
C	mm	27-505	27-710	27-1110	27-1635	27-2150	27-2665	27-3180
B	mm	796	1001	1411	1926	2441	2956	3471
Measuring Force	N	7.5 - 11.5 (±20%)						
Output data		Bluetooth® wireless technology* / RS232 / USB						
IP67 Protection		●						
Preset max.		±9999.99 mm / ±399.9995 IN						
Weight	kg	1.5	1.6	1.9	2.3	2.6	2.9	3.3
Setting by PC		●						
2 references		●						
Min/Max function		●						
Tolerance limit indicators		●						

* Up to 8 instruments connected per dongle #981-7100