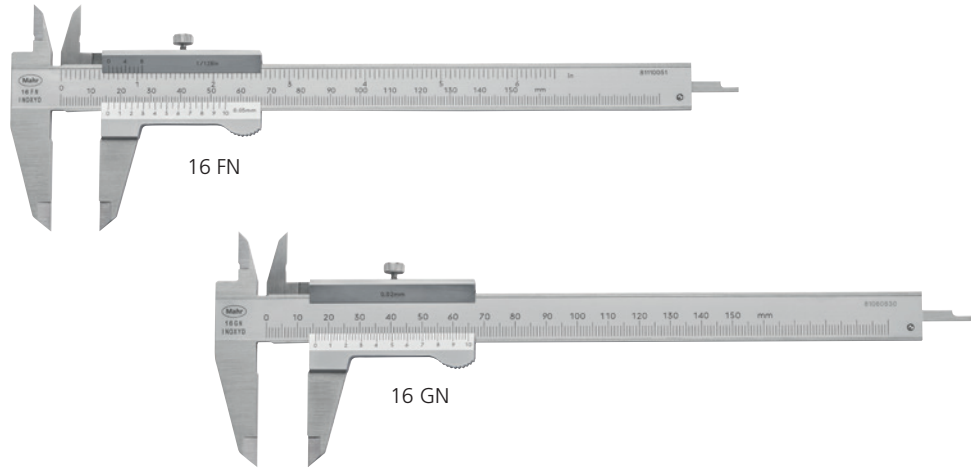




### FEATURES

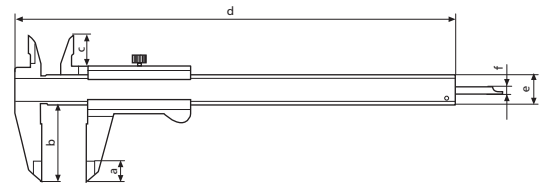
- Vernier and scale have a satin chrome finish for glare free reading
- Locking screw above
- Measuring surfaces made of steel
- Measuring blade for inside measurements
- Slide and beam made of hardened stainless steel
- Step measuring function
- Raised guideway for the protection of the scale
- **Package contains:** thread table, case



### TECHNICAL DATA

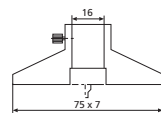
Order no.	Type	Measuring range		Vernier value	Vernier value	Error limit		Standard	Depth rod
		mm	inch			mm	inch (text)		
4100400	16 FN	0-150	0-6"	0.05	1/128"	0.05	.002"	DIN 862	rectangular
4100401	16 FN	0-200	0-8"	0.05	1/128"	0.05	.002"	DIN 862	rectangular
4100402	16 FN	0-300	0-12"	0.05	1/128"	0.05	.002"	DIN 862	rectangular
4100420	16 FN	0-150		0.05		0.05		DIN 862	rectangular
4100421	16 FN	0-200		0.05		0.05		DIN 862	rectangular
4100422	16 FN	0-300		0.05		0.05		DIN 862	rectangular
4100650	16 GN	0-150		0.02		0.05		Factory standard	rectangular
4100651	16 GN	0-200		0.02		0.05		Factory standard	rectangular
4100652	16 GN	0-300		0.02		0.05		Factory standard	rectangular

Order no.	a	b	c	d	e	f
	mm	mm	mm	mm	mm	mm
4100400	10	40	16	228	16	3.8
4100401	14	50	19	290	17	3.8
4100402	16	64	23	404	20	4.8
4100420	10	40	16	228	16	3.8
4100421	14	50	19	290	17	3.8
4100422	16	64	23	404	20	4.8
4100650	10	40	16	228	16	3.8
4100651	14	50	19	290	17	3.8
4100652	16	64	23	404	20	4.8



### ACCESSORIES

Order no.	Product name	Type
4100302	Synthetic leather pouch, black for pocket slide caliper 150 mm	
4102020	Depth bridge (75 x 7 mm)	16 Em



16 Em