

MarCal 16 EWri-VS / 16 EWR-VS

Digital Caliper for Special Applications

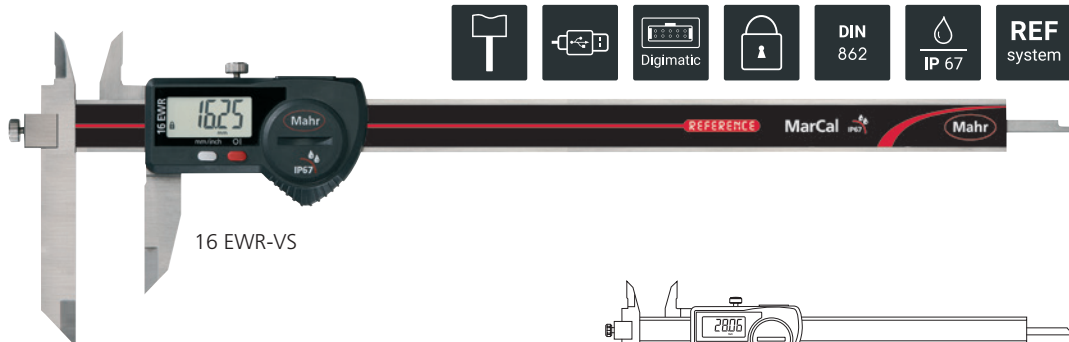
FUNCTIONS 16 EWri-VS

- ON/OFF
- AUTO-ON / OFF
- mm/inch
- LOCK function (key lock)
- RESET (set display to zero)
- PRESET (for entering a numerical value)
- DATA (data transmission)
- HOLD (storage of measured values)



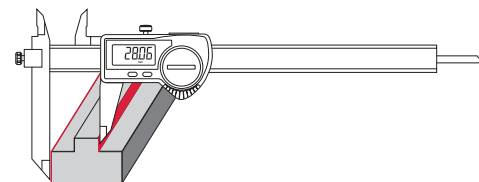
FUNCTIONS 16 EWR-VS

- ON/OFF
- AUTO-ON / OFF
- mm/inch
- LOCK function (key lock)
- RESET (set display to zero)
- DATA (data transmission via connection cable)
- High contrast analog display
- Locking screw above
- Lapped guideway
- Measuring blade for inside measurements
- Slide and beam made of hardened stainless steel
- Immediate measurements due to the Reference System
- Raised guideway for the protection of the scale
- Excellent resistance against dust, coolants and lubricants
- Dirt wipers are integrated in the slide



Application:

With moving jaws for measuring stepped workpieces



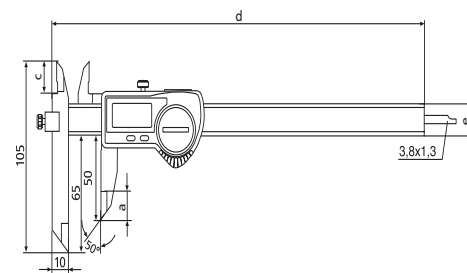
TECHNICAL DATA

Order no.	Type	Measuring range		Numerical increment	Error limit		Standard	Depth rod
		mm	inch		mm	inches (text)		
4103383	16 EWri-VS	0 –200	0 –8"	0.01 / .0005"	0.04	.0015"	Factory standard	rectangular
4103083	16 EWR-VS	0 –200	0 –8"	0.01 / .0005"	0.04	.0015"	Factory standard	rectangular

FEATURES 16 EWri-VS

- SoftwareMarCom Professional free download: www.mahr.com/marcom (only for Mahr data cables and wireless systems with USB and RS232 interface)
- **Digit height:** 11 mm
- **Data interface:** Integrated wireless
- **Energy supply:** Battery life approx. 3 years (approx. 0.5 in wireless mode)
- **IP protection category:** IP 67
- **Package contains:** battery, instruction manual, case

Order no.	a	c	d	e
	mm	mm	mm	mm
4103383	14	18	278	16
4103083	14	18	278	16



FEATURES 16 EWR-VS

- **Digit height:** 8.5 mm
- **Data interface:** USB, Opto RS232C, Digimatic
- **Energy supply:** Battery life approx. 3 years

ACCESSORIES

Order no.	For measuring instrument	Product name	Type
4102220	16 EWri-VS	Receiver for instruments with integrated wireless	i-Stick
4102357	16 EWR-VS	16 EXu data connection cable USB (2 m)	16 EXu
4102410	16 EWR-VS	Data connection cable RS232C (2 m)	16 EXr
4102520	16 EWR-VS, 16 EWri-VS	Battery 3 V, CR 2032	
4102915	16 EWR-VS	Digimatic data cable (2 m)	16 EWd



i-Stick