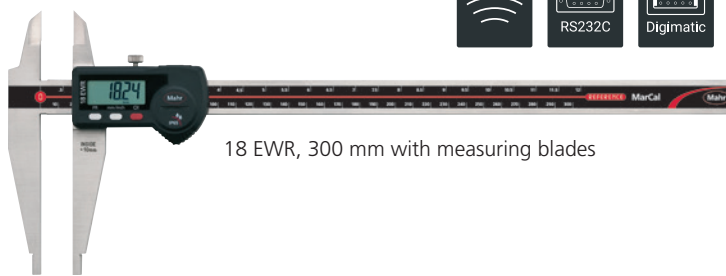


# MarCal 18 EWR

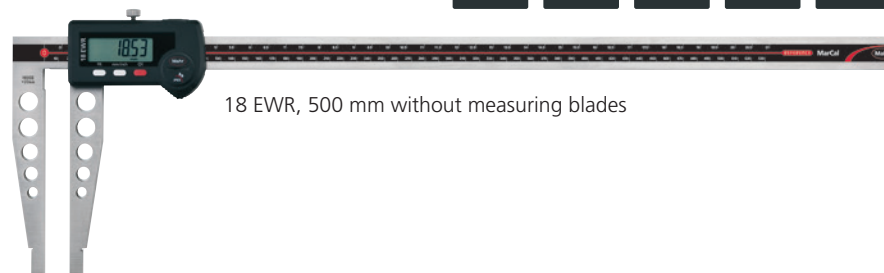
## Digital Workshop Caliper

### FUNCTIONS 18 EWR

- AUTO-ON / OFF
- DATA (data transmission via connection cable)
- ON/OFF
- PRESET (for entering a numerical value)
- RESET (set display to zero)
- mm/inch
- LOCK function (key lock)
- High contrast analog display
- Locking screw above
- Rounded measuring blades for inside measurements
- Slide and beam made of hardened stainless steel
- Immediate measurements due to the Reference System
- Raised guideway for the protection of the scale
- Excellent resistance against dust, coolants and lubricants
- Dirt wipers are integrated in the slide



18 EWR, 300 mm with measuring blades

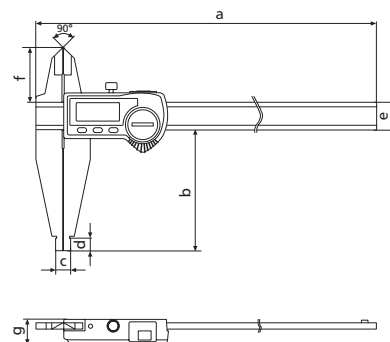


18 EWR, 500 mm without measuring blades

### TECHNICAL DATA

Order no.	Type	Measuring range	Measuring range inch	Numerical increment	Measuring blades for outside measurements	Error limit	Error limit inches (text)	Standard	Weight
		mm	inch	mm/inch		mm	inch		kg
4112704	18 EWR	0-300	0-12"	0.01 / .0005"	•	0.03	.001"	Factory standard	0.45
4112712	18 EWR	0-500	0-20"	0.01 / .0005"	•	0.04	.0015"	Factory standard	1.10
4112714	18 EWR	0-750	0-30"	0.01 / .0005"	•	0.05	.002"	Factory standard	1.35
4112716	18 EWR	0-1000	0-40"	0.01 / .0005"	•	0.06	.0025"	Factory standard	2.20
4112705	18 EWR	0-300	0-12"	0.01 / .0005"		0.03	.001"	Factory standard	0.44
4112713	18 EWR	0-500	0-20"	0.01 / .0005"		0.04	.0015"	Factory standard	1.00
4112715	18 EWR	0-750	0-30"	0.01 / .0005"		0.05	.002"	Factory standard	1.28
4112717	18 EWR	0-1000	0-40"	0.01 / .0005"		0.06	.0025"	Factory standard	2.10

Order no.	a	b	c	d	e	f
	mm	mm	mm	mm	mm	mm
4112704	410	90	10	10	20	40
4112712	650	150	20	20	25	55
4112714	905	150	20	20	25	55
4112716	1165	150	20	20	30	60
4112705	410	90	10	10	20	
4112713	650	150	20	20	25	
4112715	905	150	20	20	25	
4112717	1165	150	20	20	30	



### ACCESSORIES

Order no.	For measuring instrument	Product name	Type
4102230	18 EWR	Receiver	e-Stick
4102231	18 EWR	Transmitter for e-Stick	16 EWe
4102357	18 EWR	16 EXu data connection cable USB (2 m)	16 EXu
4102410	18 EWR	Data connection cable RS232C (2 m)	16 EXr
4102520	18 EWR	Battery 3 V, CR 2032	
4102915	18 EWR	Digimatic data cable (2 m)	16 EWd



16 EWe



e-Stick