

### FUNCTIONS

- ON/OFF
- RESET (set display to zero)
- mm/inch
- HOLD  
(storage of measured values)
- PRESET (enter anumerical value)  
from range 500 mm

### FEATURES

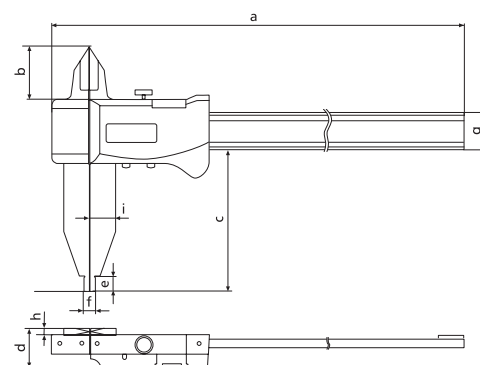
- High contrast analog display
- Locking screw above
- Rounded measuring blades for inside measurements
- Prisma guideway for a more smooth and even movement
- Measuring surfaces made of steel
- Measuring blades for outside measurements
- To reduce the overall weight the slide and beam are made from aluminum and are coated with a hard anodized surface coating (1 100 HV)
- Dirt wipers are integrated in the slide
- **Digit height:** 6 mm (300mm), 10,5 mm
- **Data interface:** Opto RS232C (only 300 mm version)
- **Energy supply:** Battery life approx. 2 years
- **IP protection category:** None
- **Package contains:** battery, instruction manual, case



### TECHNICAL DATA

Order no.	Type	Measuring range	Measuring range inch	Numerical increment	Measuring blades for outside measurements	Error limit mm	Error limit inches (text)	Standard	Weight kg
		mm	inch	mm/inch		mm	inch		kg
4112620	18 ESA	0 – 300	0 – 12"	0.01 / .0005"	•	0.04	.0015"	Factory standard	0.50
4112621	18 ESA	0 – 500	0 – 20"	0.01 / .0005"	•	0.05	.002"	Factory standard	1.40
4112622	18 ESA	0 – 800	0 – 32"	0.01 / .0005"	•	0.07	.0025"	Factory standard	1.60
4112623	18 ESA	0 – 1000	0 – 40"	0.01 / .0005"	•	0.08	.003"	Factory standard	1.80

Order no.	a	b	c	d	e	f	g	h	i
	mm	mm	mm	mm	mm	mm	mm	mm	mm
4112620	450	33	90	17.5	10	10	25	4.5	17
4112621	726	42	150	20.7	15	20	31.9	6	29
4112622	1026	42	150	20.7	15	20	31.9	6	29
4112623	1225	42	150	20.7	15	20	31.9	6	29



### ACCESSORIES

Order no.	Product name	Type
4102330	Opto USB Adapter cable RS232-USB (0.2 m)	Opto USB
4102510	Data connection cable RS232C (2 m)	16 ESv
4102520	Battery 3 V, CR 2032	