

# MarTest 800 S / 800 S-R / 800 SG / 800 SG-R / 800 SR / 800 SA / 800 SGA



## Test Indicator

### FEATURES

- Standard model
- High-contrast dial face, sealed with O-ring
- Mineral glass viewing panel for best protection:
  - against cracking, scratching or damage caused by hot shavings
  - optimum resistance to solvents
- Matt chrome-plated protective casing with three integrated dovetail guide rails
- Shockproof measuring mechanism
- Anti-magnetic model
- Automatic adjustment to the contacting direction ensuring infallible readings
- Ball bearing mounted double lever
- Friction clutch overload protection
- Package contains: case, instruction manual, spanner for changing the styli, stylus dia.  $\varnothing$  2 mm, mounting shaft 800a8



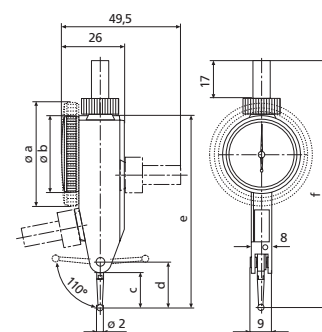
### Application:

- Measurement of concentricity, alignment, parallelism and flatness
- Centering of bores and shafts
- Parallel or perpendicular alignment of work pieces

### TECHNICAL DATA

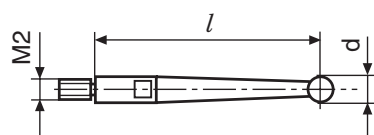
Order no.	4305200 4305205 4307200 4307205 4307250 4301200 4301250						
Product type	800 S		800 S-R		800 SG		800 SGA
Measuring range	mm		$\pm 0.4$		$\pm 0.8$		$\pm 0.25$
Graduation value	mm		0.01		0.01		0.01
Measuring surface	carbide		ruby		carbide		ruby
Scale diameter	mm		28		38		28 38
Type of dial face			40-0-40		25-0-25		25-0-25
Dial color					Yellow		
Measuring force	N		0.15		0.15		0.1
Range per rev.	mm		0.8		0.8		0.5
Deviation range $f_e$	$\mu\text{m}$		10		10		5
Total deviation range $f_{ges}$	$\mu\text{m}$		13		14		8
Hysteresis $f_u$	$\mu\text{m}$		3		4		3
Partial measuring span $f_t$	$\mu\text{m}$		5		5		5
Repeatability $f_w$	$\mu\text{m}$		3		3		3
Standard			DIN 2270		Factory standard		Factory standard

Order no.	a	b	c	d	e	f	Measuring anvil length
	mm	mm	mm	mm	mm	mm	mm
4305200		30	13.6	17.8	75	99	14.5
4305205		30	13.6	17.8	75	99	14.5
4307200	40.5		13.6	17.8	75	99	14.5
4307205	40.5		13.6	17.8	75	99	14.5
4307250	40.5		13.6	17.8	75	99	14.5
4301200		30	13.6	17.8	75	99	14.5
4301250	40.5		13.6	17.8	75	99	14.5



### ACCESSORIES

Order no.	Product name	Product type
4305870	Stylus $\varnothing$ 1.0 mm, carbide, l = 14.5 mm	800 ts
4305850	Stylus $\varnothing$ 2.0 mm, carbide, l = 14.5 mm	800 ts
4305871	Stylus $\varnothing$ 3.0 mm, carbide, l = 14.5 mm	800 ts
4309051	Stylus $\varnothing$ 2.0 mm, ruby, l = 14.5 mm	800 tsr
4305868	Spanner	



800 tb;800 tbr;800 te;800 ter;800 tl;800 tlr;800 ts;800 tsr;801 tl

### FEATURES

With long stylus, for measurements at poorly accessible measuring points

- High-contrast dial face, sealed with O-ring
- Mineral glass viewing panel for best protection:
  - against cracking, scratching or damage caused by hot shavings
  - optimum resistance to solvents
- Matt chrome-plated protective casing with three integrated dovetail guide rails
- Shockproof measuring mechanism
- Anti-magnetic model
- Automatic adjustment to the contacting direction ensuring infallible readings
- Ball bearing mounted double lever
- Friction clutch overload protection
- **Package contains:** case, instruction manual, spanner for changing the styli, stylus dia.  $\varnothing$  2 mm, mounting shaft 800a6 (800 SA/SGA/SGB), mounting shaft 800a8



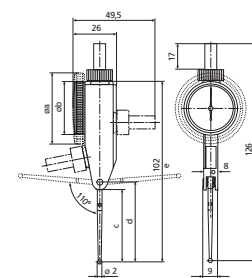
### Application:

- Measurement of concentricity, alignment, parallelism and flatness
- Centering of bores and shafts
- Parallel or perpendicular alignment of work pieces

### TECHNICAL DATA

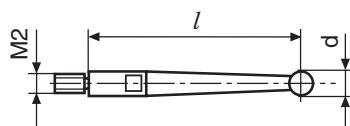
Order no.	4301300	4306200	4306250
Product type	800 SGB	800 SL	800 SGL
Measuring range	mm	$\pm 0.5$	$\pm 0.25$
Graduation value	mm		0.01
Measuring surface			carbide
Scale diameter	mm	38	28
Type of dial face		50–0–50	25–0–25
Dial color			Yellow
Measuring force	N		0.07
Range per rev.	mm	1	0.5
Deviation range $f_e$	$\mu\text{m}$		10
Total deviation range $f_{ges}$	$\mu\text{m}$		13
Hysteresis $f_u$	$\mu\text{m}$	4	5
Partial measuring span $f_t$	$\mu\text{m}$		5
Repeatability $f_w$	$\mu\text{m}$		3
Standard			Factory standard

Order no.	a	b	c	d	e	f	Measuring anvil length
	mm	mm	mm	mm	mm	mm	mm
4301300	40.5		31.4	35.7	93	117	32.3
4306200		30	40.3	44.6	102	126	41.24
4306250	40.5		40.3	44.6	102	126	41.24



### ACCESSORIES

Order no.	Product name	Product type
4301851	Stylus $\varnothing$ 1.0 mm, carbide, $l = 32.3$ mm	800 tb
4301850	Stylus $\varnothing$ 2.0 mm, carbide, $l = 32.3$ mm	800 tb
4301852	Stylus $\varnothing$ 3.0 mm, carbide, $l = 32.3$ mm	800 tb
4309052	Stylus $\varnothing$ 2.0 mm, ruby, $l = 32.3$ mm	800 tbr
4305868	Spanner	
4306851	Stylus $\varnothing$ 1.0 mm, carbide, $l = 41.24$ mm	800 tl
4306850	Stylus $\varnothing$ 2.0 mm, carbide, $l = 41.24$ mm	800 tl
4306853	Stylus $\varnothing$ 3.0 mm, carbide, $l = 41.24$ mm	800 tl
4309053	Stylus $\varnothing$ 2.0 mm, ruby, $l = 41.24$ mm	800 tlr



800 tb;800 tbr;800 te;800 ter;800 tl;800 tlr;800 ts;800 tsr;801 tl

### FEATURES

For high-precision measurements

- High-contrast dial face, sealed with O-ring
- Mineral glass viewing panel for best protection:
  - against cracking, scratching or damage caused by hot shavings
  - optimum resistance to solvents
- Matt chrome-plated protective casing with three integrated dovetail guide rails
- Shockproof measuring mechanism
- Anti-magnetic model
- Automatic adjustment to the contacting direction ensuring infallible readings
- Ball bearing mounted double lever
- Friction clutch overload protection
- **Package contains:** case, instruction manual, spanner for changing the styli, stylus dia.  $\varnothing$  2 mm, mounting shaft 800a8



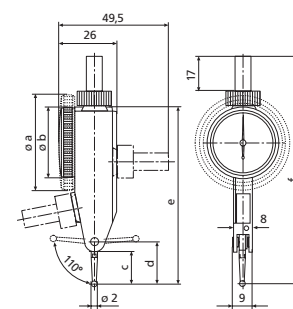
### Application:

- Measurement of concentricity, alignment, parallelism and flatness
- Centering of bores and shafts
- Parallel or perpendicular alignment of work pieces

### TECHNICAL DATA

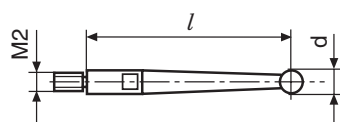
Order no.		4308150	4308200	4308205	4308250
Product type		800 SM	800 SGM	800 SGM-R	800 SRM
Measuring range	mm	$\pm 0.1$			$\pm 0.2$
Graduation value	mm	0.002			
Measuring surface		carbide		ruby	carbide
Scale diameter	mm	28	38		
Type of dial face		100–0–100			
Dial color		Yellow			
Measuring force	N	0.15			
Range per rev.	mm	0.2			
Deviation range $f_e$	$\mu\text{m}$	3			
Total deviation range $f_{ges}$	$\mu\text{m}$	4			5
Hysteresis $f_u$	$\mu\text{m}$	2			3
Partial measuring span $f_t$	$\mu\text{m}$	2			
Repeatability $f_w$	$\mu\text{m}$	1.5			
Standard		DIN 2270			Factory standard

Order no.	a	b	c	d	e	f	Measuring anvil length
	mm	mm	mm	mm	mm	mm	mm
4308150		30	13.6	17.8	75	99	14.5
4308200	40.5		13.6	17.8	75	99	14.5
4308205	40.5		13.6	17.8	75	99	14.5
4308250	40.5		13.6	17.8	75	99	14.5



### ACCESSORIES

Order no.	Product name	Product type
4305870	Stylus $\varnothing$ 1.0 mm, carbide, l = 14.5 mm	800 ts
4305850	Stylus $\varnothing$ 2.0 mm, carbide, l = 14.5 mm	800 ts
4305871	Stylus $\varnothing$ 3.0 mm, carbide, l = 14.5 mm	800 ts
4309051	Stylus $\varnothing$ 2.0 mm, ruby, l = 14.5 mm	800 tsr
4305868	Spanner	



800 tb;800 tbr;800 te;800 ter;800 tl;800 tlr;800 ts;800 tsr;801 tl