

### FEATURES

For high-precision measurements

- High-contrast dial face, sealed with O-ring
- Mineral glass viewing panel for best protection:
  - against cracking, scratching or damage caused by hot shavings
  - optimum resistance to solvents
- Matt chrome-plated protective casing with three integrated dovetail guide rails
- Shockproof measuring mechanism
- Anti-magnetic model
- Automatic adjustment to the contacting direction ensuring infallible readings
- Ball bearing mounted double lever
- Friction clutch overload protection
- **Package contains:** case, instruction manual, spanner for changing the styli, stylus dia.  $\varnothing$  2 mm, mounting shaft 800a3/8



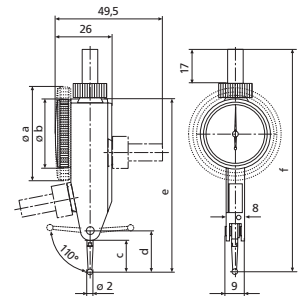
### Application:

- Measurement of concentricity, alignment, parallelism and flatness
- Centering of bores and shafts
- Parallel or perpendicular alignment of work pieces

### TECHNICAL DATA

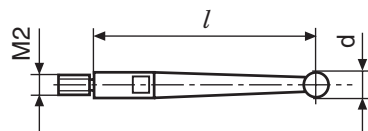
Order no.	4308960	4308970	4308980	4308985
Product type	801 SM	801 SGM	801 SRM	801 SGE
Measuring range	inch	$\pm .004''$	$\pm .008''$	$\pm .004''$
Graduation value	inch	.0001"		.00005"
Scale diameter	inch	1.1"	1.5"	
Type of dial face				4-0-4
Dial color				Green
Measuring force	N	0.15		
Range per rev.	inch	.008"		
Deviation range $f_e$	inch	.00012"		.0004"
Total deviation range $f_{ges}$	inch	.00016"	.0002"	.0005"
Hysteresis $f_u$	inch	.00008"		.00012"
Partial measuring span $f_t$	inch	.00008"		.0002"
Repeatability $f_w$	inch	.0001"		
Standard	Factory standard			

Order no.	a	b	c	d	e	f	Measuring anvil length
	mm	mm	mm	mm	mm	mm	mm
4308960		30	13.6	17.8	75	99	14.5
4308970	40.5		13.6	17.8	75	99	14.5
4308980	40.5		13.6	17.8	75	99	14.5
4308985	40.5		13.6	17.8	75	99	14.5



### ACCESSORIES

Order no.	Product name	Product type
4305850	Stylus $\varnothing$ 2.0 mm, carbide, $l = 14.5$ mm	800 ts
4305870	Stylus $\varnothing$ 1.0 mm, carbide, $l = 14.5$ mm	800 ts
4305871	Stylus $\varnothing$ 3.0 mm, carbide, $l = 14.5$ mm	800 ts
4309051	Stylus $\varnothing$ 2.0 mm, ruby, $l = 14.5$ mm	800 tsr
4305868	Spanner	



800 tb;800 tbr;800 te;800 ter;800 tl;800 tlr;800 ts;800 tsr;801 tl

### FEATURES

#### Standard model

- High-contrast dial face, sealed with O-ring
- Mineral glass viewing panel for best protection:
  - against cracking, scratching or damage caused by hot shavings
  - optimum resistance to solvents
- Matt chrome-plated protective casing with three integrated dovetail guide rails
- Shockproof measuring mechanism
- Anti-magnetic model
- Automatic adjustment to the contacting direction ensuring infallible readings
- Ball bearing mounted double lever
- Friction clutch overload protection
- **Package contains:** case, instruction manual, spanner for changing the styli, stylus dia.  $\varnothing$  2 mm, mounting shaft 800a3/8



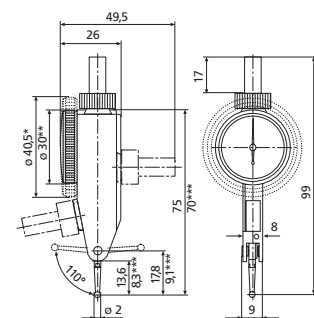
#### Application:

- Measurement of concentricity, alignment, parallelism and flatness
- Centering of bores and shafts
- Parallel or perpendicular alignment of work pieces

### TECHNICAL DATA

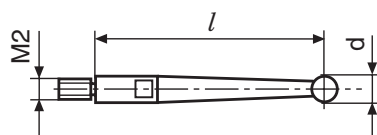
Order no.	4305950	4305960	4307950	4307960	4307970
Product type	801 S	801 S1	801 SG	801 SR	801 SGI
Measuring range	mm				$\pm 0.3$
Measuring range	inch	$\pm .015$ "		$\pm .030$ "	$\pm .015$ "
Graduation value	mm				0.01
Graduation value	inch		.0005"		
Scale diameter	inch	1.1"	1.5"	1.1"	1.5"
Type of dial face			15-0-15		
Dial color			Green		
Measuring force	N		0.15		
Range per rev.	mm				0.6
Range per rev.	inch		.03"		
Deviation range $f_e$	inch		.0004"		
Total deviation range $f_{ges}$	inch		.0005"		
Hysteresis $f_u$	inch	.00012"		.0002"	.00012"
Partial measuring span $f_t$	inch		.0002"		
Repeatability $f_w$	inch		.0001"		
Standard			Factory standard		

Order no.	a	b	c	d	e	f	Measuring anvil length
	mm	mm	mm	mm	mm	mm	mm
4305950		30	13.6	17.8	75	99	14.5
4305960		30	13.6	17.8	75	99	14.5
4307950	40.5		13.6	17.8	75	99	14.5
4307960	40.5		13.6	17.8	75	99	14.5
4307970	40.5		13.6	17.8	75	99	14.5



### ACCESSORIES

Order no.	Product name	Product type
4305870	Stylus $\varnothing$ 1.0 mm, carbide, l = 14.5 mm	800 ts
4305850	Stylus $\varnothing$ 2.0 mm, carbide, l = 14.5 mm	800 ts
4305871	Stylus $\varnothing$ 3.0 mm, carbide, l = 14.5 mm	800 ts
4309051	Stylus $\varnothing$ 2.0 mm, ruby, l = 14.5 mm	800 tsr
4305868	Spanner	



800 tb;800 tbr;800 te;800 ter;800 tl;800 tlr;800 ts;800 tsr;801 tl

### FEATURES

With long stylus, for measurements at poorly accessible measuring points

- High-contrast dial face, sealed with O-ring
- Mineral glass viewing panel for best protection:
  - against cracking, scratching or damage caused by hot shavings
  - optimum resistance to solvents
- Matt chrome-plated protective casing with three integrated dovetail guide rails
- Shockproof measuring mechanism
- Anti-magnetic model
- Automatic adjustment to the contacting direction ensuring infallible readings
- Ball bearing mounted double lever
- Friction clutch overload protection
- Package contains: case, instruction manual, spanner for changing the styli, stylus dia.  $\varnothing$  2 mm, mounting shaft 800a3/8



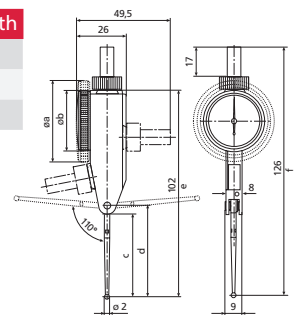
### Application:

- Measurement of concentricity, alignment, parallelism and flatness
- Centering of bores and shafts
- Parallel or perpendicular alignment of work pieces

### TECHNICAL DATA

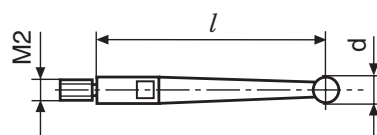
Order no.	4306950	4306960
Product type	801 SL	801 SGL
Measuring range	inch	$\pm .010''$
Graduation value	inch	.0005''
Scale diameter	inch	1.1''
Type of dial face	10-0-10	
Dial color	Green	
Measuring force	N	0.07
Range per rev.	inch	.02''
Deviation range $f_e$	inch	.0004''
Total deviation range $f_{ges}$	inch	.0005''
Hysteresis $f_u$	inch	.0002''
Partial measuring span $f_t$	inch	.0002''
Repeatability $f_w$	inch	.0001''
Standard	Factory standard	

Order no.	a	b	c	d	e	f	Measuring anvil length
	mm	mm	mm	mm	mm	mm	mm
4306950		30	40.3	44.6	102	126	41.24
4306960	40.5		40.3	44.6	102	126	41.24



### ACCESSORIES

Order no.	Product name	Product type
4306851	Stylus $\varnothing$ 1.0 mm, carbide, l = 41.24 mm	800 tl
4306850	Stylus $\varnothing$ 2.0 mm, carbide, l = 41.24 mm	800 tl
4306853	Stylus $\varnothing$ 3.0 mm, carbide, l = 41.24 mm	800 tl
4309053	Stylus $\varnothing$ 2.0 mm, ruby, l = 41.24 mm	800 tlr
4305868	Spanner	



800 tb;800 tbr;800 te;800 ter;800 tl;800 tlr;800 ts;800 tsr;801 tl