

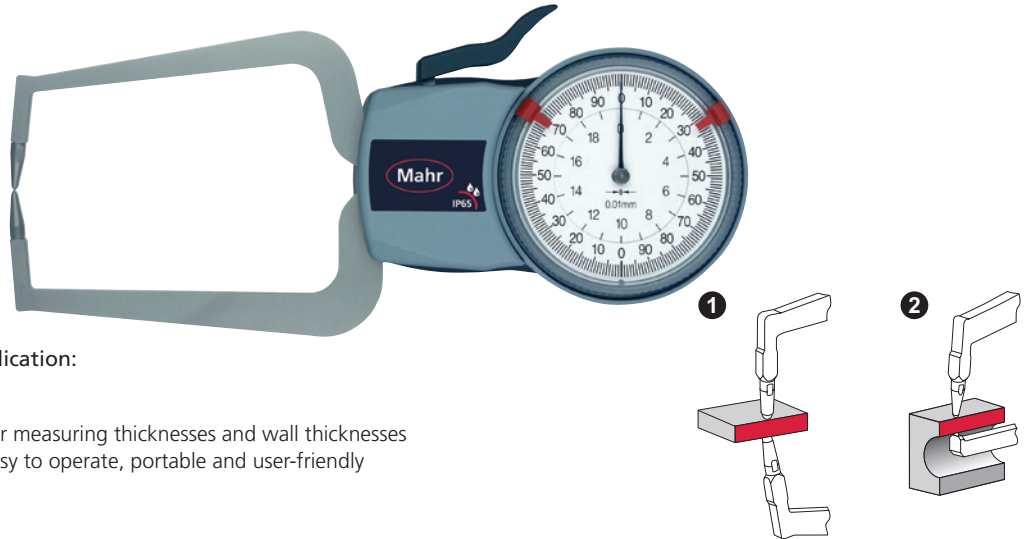
MaraMeter 838 TA

Gage for External Measurement



FEATURES

- Contact points made of carbide
- Absolute measuring instrument
- Easy-to-read tolerance markers
- IP protection category: IP 65
- Package contains: test certificate



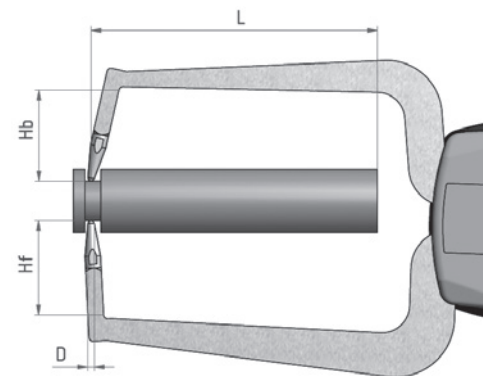
Application:

- For measuring thicknesses and wall thicknesses
- Easy to operate, portable and user-friendly

TECHNICAL DATA

Order no.	Product type	Measuring range	Graduation value	Measuring depth	Error limit	Repeatability	Dimension L	Form of measuring contacts	Diameter of measuring contact ball	Measuring force
		mm	mm	mm	mm	mm	mm		mm	N
4495550	838 TA	0–10	0.005	35	0.015	0.005	35	1	1.5	0.8–1.2
4495551	838 TA	0–20	0.01	85	0.03	0.01	85	1	1.5	1.1–1.6
4495552	838 TA	0–20	0.01	85	0.03	0.01	85	2	1.5	1.1–1.6
4495555	838 TA	0–50	0.05	167	0.05	0.025	167	1	3	0.8–1.7
4495556	838 TA	0–50	0.05	169	0.05	0.025	169	2	3	0.8–1.7

Order no.	D	Hb	Hf	Dimension L
	mm	mm	mm	mm
4495550	1.5	19.1	18.6	35
4495551	1.5	24.6	24.6	85
4495552	1.5	24.6	2.5	85
4495555	3	30	30	167
4495556	3	30	4.3	169



MaraMeter 838 TAZ

Gage for External Measurement



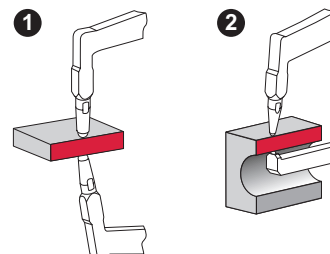
FEATURES

- Contact points made of carbide
- Absolute measuring instrument
- Easy-to-read tolerance markers
- IP protection category: IP 65
- Package contains: test certificate



Application:

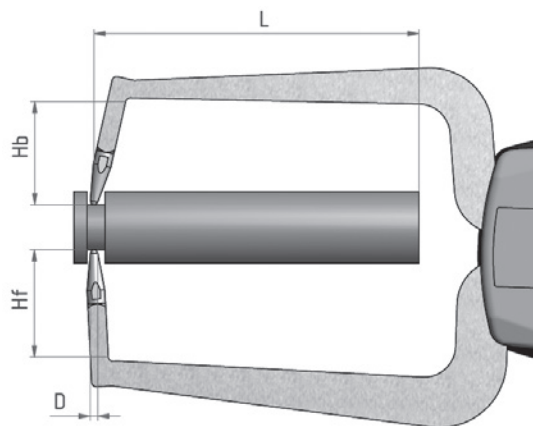
- For measuring thicknesses and wall thicknesses
- Easy to operate, portable and user-friendly



TECHNICAL DATA

Order no.	Product type	Measuring range	Graduation value	Measuring depth	Error limit	Repeatability	L	Form of measuring contacts	Measuring contact ball diameter	Measuring force
		inch	inch	inch	inch	inch	inch		inch	N
4495950	838 TAZ	0 – .40"	.0002"	1.37"	.0008"	.0002"	1.37"	1	.6"	0.8 – 1.2
4495951	838 TAZ	0 – .80"	.0005"	3.2"	.0015"	.0005"	3.2"	1	.6"	1.1 – 1.6
4495952	838 TAZ	0 – .80"	.0005"	3.2"	.0015"	.0005"	3.2"	2	.6"	1.1 – 1.6
4495955	838 TAZ	0 – 2.0"	.001"	6.6"	.002"	.001"	6.6"	1	.12"	0.8 – 1.7
4495956	838 TAZ	0 – 2.0"	.001"	6.7"	.002"	.001"	6.7"	2	.12"	0.8 – 1.7

Order no.	D	Hb	Hf	L
	inch	inch	inch	inch
4495950	.6"	.75"	.75"	1.37"
4495951	.6"	.97"	.97"	3.2"
4495952	.6"	.97"	.097"	3.2"
4495955	.12"	1.18"	1.18"	6.6"
4495956	.12"	1.18"	.17"	6.7"



MaraMeter 838 EA

Electronic Gauge for External Measurement



FUNCTIONS

- ON/OFF
- mm/inch
- TOL (enter tolerance limit values)
- ABS (display can be set to zero without losing reference to preset)
- DATA (data transmission via connection cable)

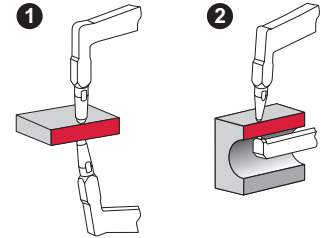


FEATURES

- High contrast analog and digital LCD
- Tolerance displayed with 2 LEDs
- **Data interface:** Digimatic, USB
- **Energy supply:** Battery operation (2x 1.5V AAA)
- **IP protection category:** IP 67
- **Package contains:** instruction manual, battery, test certificate

Application:

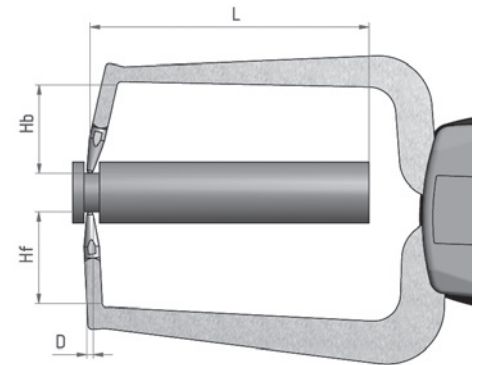
- Specified measuring programs according to application
- Absolute/relative measuring program



TECHNICAL DATA

Order no.	Product type	Measuring range	Graduation value	Measuring depth	Error limit	Repeatability	Dimension L	Form of measuring contacts	Diameter of measuring contact ball	Measuring force
		mm	mm	mm	mm	mm	mm		mm	N
4495560	838 EA	0–10	0.005	35	0.015	0.005	35	1	1.5	0.8–1.2
4495561	838 EA	0–20	0.01	85	0.03	0.01	85	1	1.5	1.1–1.6
4495562	838 EA	0–20	0.01	85	0.03	0.01	85	2	1.5	1.1–1.6
4495563	838 EA	0–30	0.02	116	0.04	0.02	116	1	3	0.9–1.6
4495564	838 EA	0–50	0.02	167	0.06	0.04	167	1	3	0.8–1.7
4495565	838 EA	0–30	0.02	116	0.04	0.02	116	2	3	0.9–1.6
4495566	838 EA	0–50	0.02	169	0.06	0.04	169	2	3	0.8–1.7

Order no.	D	Hb	Hf	Dimension L
	mm	mm	mm	mm
4495560	1.5	19.1	18.6	35
4495561	1.5	24.6	24.6	85
4495562	1.5	24.6	2.5	85
4495563	3	30	30	116
4495564	3	30	30	167
4495565	3	30	4	116
4495566	3	30	4.3	169



ACCESSORIES

Order no.	Product name	Product type
4495079	838 USB Data connection cable USB (1.5 m)	838 USB
4495083	Digimatic data cable (1.5 m)	838 di (A)