

MarStand 818 P

Center Bench with V-Support

FEATURES

Center Bench with V-support Unit composed of:

- Bench gage
- Flatness of the surface is in accordance to DIN 876/1
- Two T-slots for tailstock and / or support arm
- Support arm 818 XNB
- Support arm with one joint with fine adjustment
- V-supports
- Both V-supports can be relocated (slide into position)
- **Package contains:** measuring bench, measuring arm 818 XNB, V-supports, excludes indicator



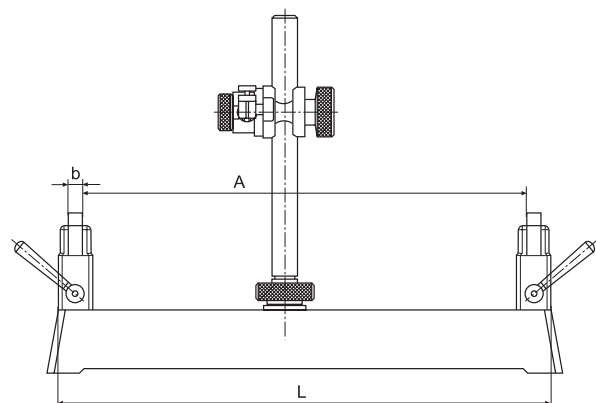
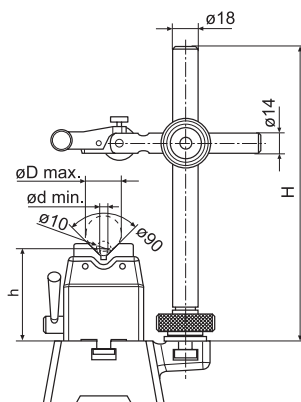
Application:

- Fast and easy radial run-out testing of V-blocks
- Perfect for parts without a central bore
- During this test procedure, the reference axis is formed by the cylindricity (circumferential surface) of an actual bearing point, e.g. at a transmission shaft. Possible roundness deviations of the cylindrical surface are included in the radial run-out measurement result in accordance with the V-angle. This test is thus more functional than measuring between the tips.

TECHNICAL DATA

Order no.	4622260	4622261	4622262	
Product type	818 P			
Height of V-supports	mm	70	120	
Diameter range	mm	5 – 20	5 – 45	
T-groove width	mm	10H7	12H7	
Mounting hole	8H7			
Permitted height difference	mm	0.05		
Permitted lateral difference	mm	0.05		
Product weight	kg	6.50	9.50	30.00

Order no.	Column diameter	Dimension A	D	Dimension L	b	d	Structural dimensions (L x W) mm
	mm	mm	mm	mm	mm	mm	mm
4622260	18	315	25	350	9.6	5	350 x 110
4622261	18	465	25	500	9.6	5	500 x 110
4622262	18	650	50	700	13.6	5	700 x 180



ACCESSORIES

Order no.	Product name	Product type
4622275	Support Arm, Column height 205 mm, T-groove width 10 mm	818 XNB
4622276	Support Arm, Column height 260 mm, T-groove width 12 mm	818 XNB
4622277	Support Arm, Column height 360 mm, T-groove width 12 mm	818 XNB

MarStand 818 R

Center Bench with Roller Support

FEATURES

Center bench with roller support
Unit composed of:

- Bench gage
- Flatness of the surface is in accordance to DIN 876/1
- Two T-slots for tailstock and / or support arm
- Support Arm 818 XNB
- Support arm with one joint
- With fine adjustment
- Roller supports
- Both Roller supports can be relocated (slide into position)
- **Package contains:** measuring bench, measuring arm 818 XNB, balancing supports, excludes indicator



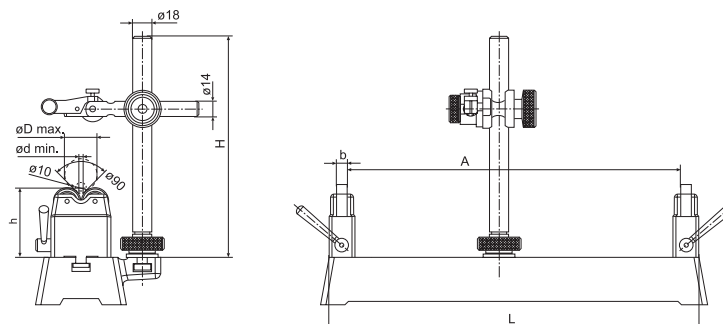
Application:

- Fast and easy radial run-out testing of anti-friction bearing mounted rollers
 - Perfect for smooth-running and seamless rotation of the workpiece, especially heavy parts without a central bore
 - During this test procedure, the reference axis is formed by the cylindricity (circumferential surface) of an actual bearing point, e.g. at a transmission shaft. Possible roundness deviations of this cylindrical surface can be included in the radial run-out measurement result in accordance with the surface angle.
- This test is thus more functional than measuring between the tips.

TECHNICAL DATA

Order no.	4622250	4622251	4622252	
Product type	818 R			
Height of roller supports	mm	65	100	
Height of V-supports	mm	65	100	
Diameter range	mm	3 –30	4 –60	
T-groove width	mm	10H7	12H7	
Mounting hole	8H7			
Permitted height difference	mm	0.05		
Permitted lateral difference	mm	0.05		
Product weight	kg	6.50	9.50	30.00

Order no.	Column diameter	Dimension A	D	Dimension L	b	d	Structural dimensions (L x W) mm
	mm	mm	mm	mm	mm	mm	mm
4622250	18	315	25	350	8	3	350 x 110
4622251	18	465	25	500	8	3	500 x 110
4622252	18	650	50	700	12	5	700 x 180



ACCESSORIES

Order no.	Product name	Product type
4622275	Support Arm, Column height 205 mm, T-groove width 10 mm	818 XNB
4622276	Support Arm, Column height 260 mm, T-groove width 12 mm	818 XNB
4622277	Support Arm, Column height 360 mm, T-groove width 12 mm	818 XNB