

FEATURES

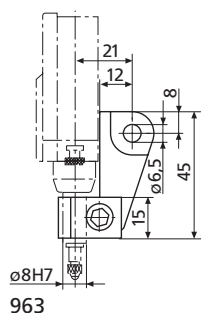
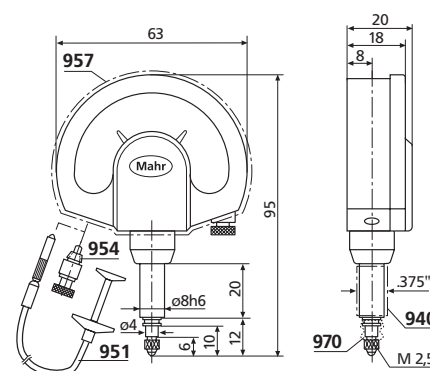
- Large, high contrast dial face
- Adjustable tolerance markers
- Lockable fine adjustment screw
- Shockproof movement
- Mounting shank and measuring spindle are both made of hardened stainless steel
- Measuring spindle is mounted in a high precision ball guide for minimal hysteresis
- Resistant to lateral forces (side play) acting on the measuring spindle
- Maximum sensitivity and accuracy are ensured by the jeweled movement in conjunction with the precision gears and pinions
- Box type protective housing
- Constant measuring force
- Measuring spindle can be retracted with either a screw in cable release or with a lifting knob
- Package contains: case



TECHNICAL DATA

Order no.	4334000	4334005	4334102	4334103	4335000	4335005
Product type	1003	1003 T	1002	1003	1002	1002 T
Measuring range	± 50		± 25	± 50	± 25	
Graduation value	1		0.5	1	0.5	
Type of dial face	50-0-50		25-0-25	50-0-50	25-0-25	
Error limit G_e	1		0.5	1	0.5	
Error limit G_{ges}	1.2		0.6	1.2	0.6	
Error limit G_t	0.7		0.4	0.7	0.4	
Hysteresis f_u	0.5		0.3	0.5	0.3	
Repeatability f_w	0.5		0.3	0.5	0.3	
Standard	DIN 879-1		Factory standard	DIN 879-1	Factory standard	
Overtravel	mm			2.8		
Measuring force	N			1		
Scale diameter	mm			50		
Dial color	Yellow		White		Yellow	
IP protection category:	IP 54		IP 54		IP 54	

Order no.	Mounting shaft	Scale diameter
	mm	mm
4334000	8	50
4334005	8	50
4334102	8	50
4334103	8	50
4335000	8	50
4335005	8	50



ACCESSORIES

Order no.	Product name	Product type
4310103	Adapter bushing (.375" / 8 mm)	940
4372000	Cable release (250 mm)	951
4372030	Lifting knob	954
4373030	Splash guard cover	957
4334786	Rubber bellows	970
4375002	Lug back to mount on mounting shank 8h6 mm	963

Millimess 1004 / 1004 T / 1003 XL / 1003 XLT

Mechanical Dial Comparator



FEATURES

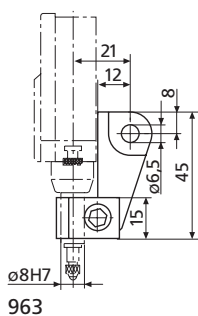
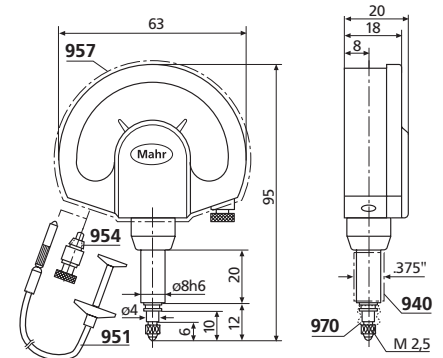
- Large, high contrast dial face
- Adjustable tolerance markers
- Lockable fine adjustment screw
- Shockproof movement
- Mounting shank and measuring spindle are both made of hardened stainless steel
- Measuring spindle is mounted in a high precision ball guide for minimal hysteresis
- Resistant to lateral forces (side play) acting on the measuring spindle
- Maximum sensitivity and accuracy are ensured by the jeweled movement in conjunction with the precision gears and pinions
- Box type protective housing
- Constant measuring force
- Measuring spindle can be retracted with either a screw in cable release or with a lifting knob
- Package contains: case



TECHNICAL DATA

Order no.		4333000	4333005	4334001	4334006
Product type		1004	1004 T	1003 XL	1003 XLT
Measuring range	µm	± 130			
Graduation value	µm	5		2	
Type of dial face		130–0–130			
Error limit G_e	µm	3.5		2	
Error limit G_{ges}	µm	4		2.4	
Error limit G_t	µm	3		1.4	
Hysteresis f_u	µm	1			
Repeatability f_w	µm	1			
Standard		Factory standard			
Overtravel	mm	2.5			
Measuring force	N	1			
Scale diameter	mm	50			
Dial color		White		Yellow	
IP protection category:		IP 54		IP 54	

Order no.	Mounting shaft	Scale diameter
	mm	mm
4333000	8	50
4333005	8	50
4334001	8	50
4334006	8	50



ACCESSORIES

Order no.	Product name	Product type
4310103	Adapter bushing (.375" / 8 mm)	940
4372000	Cable release (250 mm)	951
4372030	Lifting knob	954
4373030	Splash guard cover	957
4334786	Rubber bellows	970
4375002	Lug back to mount on mounting shank 8h6 mm	963

FEATURES

- Large, high contrast dial face
- Adjustable tolerance markers
- Lockable fine adjustment screw
- Shockproof movement
- Mounting shank and measuring spindle are both made of hardened stainless steel
- Measuring spindle is mounted in a high precision ball guide for minimal hysteresis
- Resistant to lateral forces (side play) acting on the measuring spindle
- Maximum sensitivity and accuracy are ensured by the jeweled movement in conjunction with the precision gears and pinions
- Box type protective housing
- Constant measuring force
- Measuring spindle can be retracted with either a screw in cable release or with a lifting knob
- Package contains: case

Application:

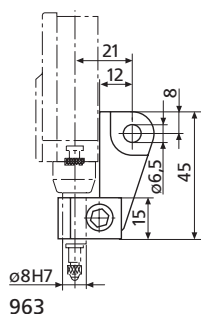
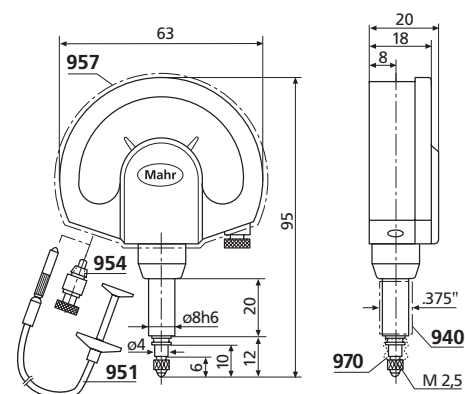
- Models with reduced / increased measuring force
- for measurements on thin walled, soft materials or delicate surfaces



TECHNICAL DATA

Order no.	4334075 4334070 4334050 4334076 4334071 4334010 4334011							
Product type	1003							
Measuring range	μm	± 50						
Graduation value	μm	1						
Type of dial face	50-0-50							
Error limit G _e	μm	1						
Error limit G _{ges}	μm	1.2						
Error limit G _t	μm	0.7						
Hysteresis f _u	μm	0.5						
Repeatability f _w	μm	0.5						
Standard	DIN 879-1						Factory standard	
Overtravel	mm	2.8						
Measuring force	N	0.3	0.4	0.5	0.6	0.7	2	3
Scale diameter	mm	50						
Dial color	Yellow							

Order no.	Mounting shaft	Scale diameter
	mm	mm
4334075	8	50
4334070	8	50
4334050	8	50
4334076	8	50
4334071	8	50
4334010	8	50
4334011	8	50



ACCESSORIES

Order no.	Product name	Product type
4310103	Adapter bushing (.375" / 8 mm)	940
4372000	Cable release (250 mm)	951
4372030	Lifting knob	954
4373030	Splash guard cover	957
4334786	Rubber bellows	970
4375002	Lug back to mount on mounting shank 8h6 mm	963