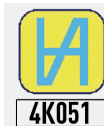




# OUTSIDE POINT CALIPER IP-67 MICROTECH



ISO/IES 17025:2006 (cert. № 4K051)



Quality management system  
ISO 9001:2015 (cert. № U228396)





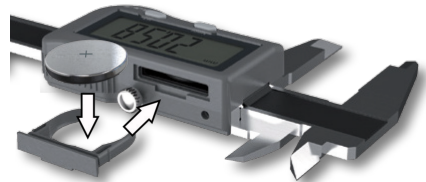
# 1.MODIFICATIONS

Item No	Range	Resolution	Accuracy	Sizes*				Self lubrication	Waterproof
				A	B	C	D		
141430153	0-150	0,01	±0,030	25	9	1	5	+	IP67
141430203	0-200	0,01	±0,030	25	9	1.5	8	+	IP67
141430303	0-300	0,01	±0,030	43	16	1.5	8	+	IP67

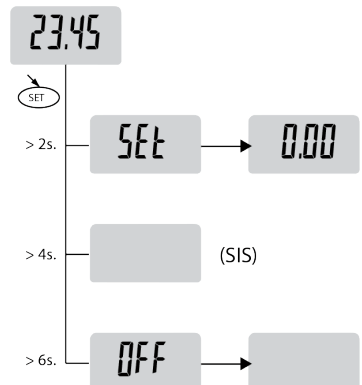
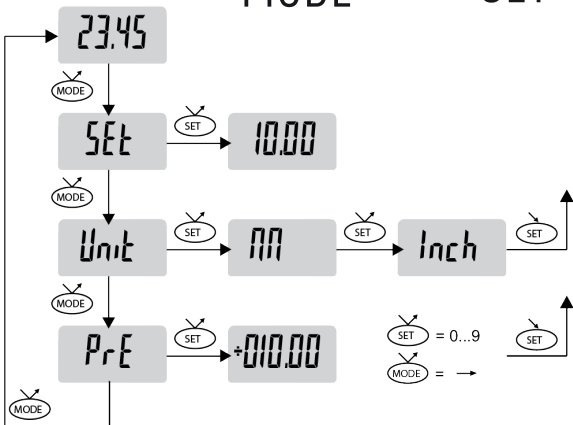
# 2.BUTTON FUNCTIONS & BATTERY REPLACEMENT

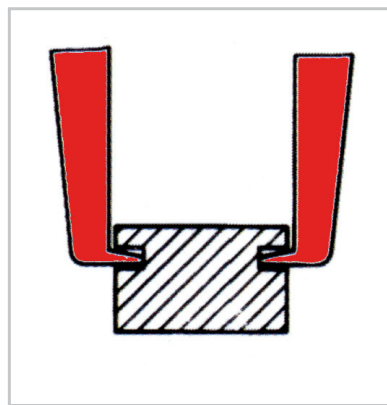
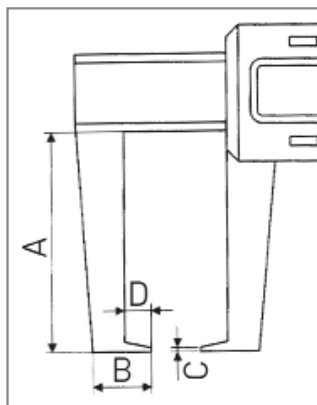


MODE SET



BATTERY REPLACEMENT





## 3. OPERATION INSTRUCTIONS

- 3.1 Wipe with a clean cloth, soaked in gasoline, measuring surface of the frame and gauge calipers to remove anti-corrosion oil. Then wipe them with a clean dry cloth.
- 3.2 If necessary, open the battery cover and insert the battery (CR2032) according to the polarity of the electrodes. Blinking display information or absence suggests replacing battery.
- 3.3 Caliper has electronic module with PRESET function, so no necessary make recalculation. Actual sizes of jaws installed during a manufacturing.
- 3.4. If necessary make new PRESET - switch throw MODE button to PRE menu on digital module and SET actual value.
- 3.5 This instrument has been manufactured with a degree of protection IP67, according to the IEC60529 standard
- 3.6 This caliper has Autoswitch on/ off function:
  - move electronic module for switch on caliper
  - after 20 minutes without any moving caliper will switch off
- 3.7 During the measurement, measuring jaws should to sum to the measured object without knocking.
- 3.8 During the measurement avoid warps of measuring surfaces of the instrument. Measuring surface must be fully in contact with the measurement object.





# 4. INSTRUMENT FIGURE

